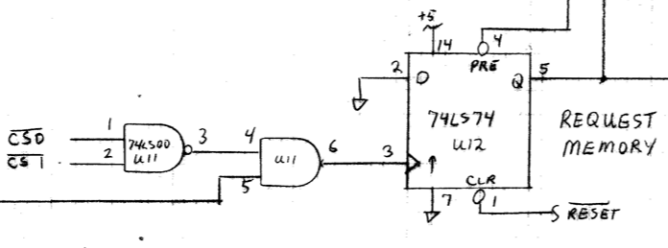
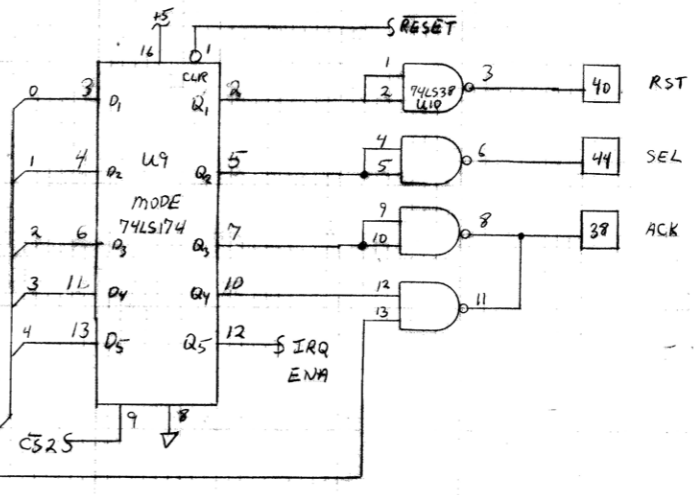
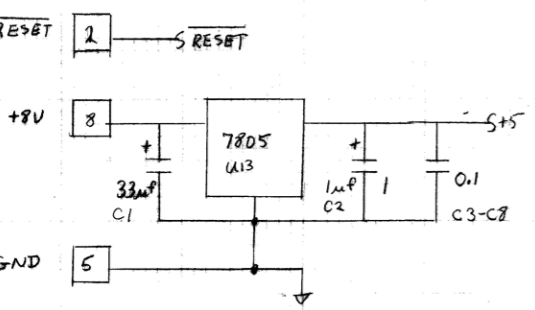
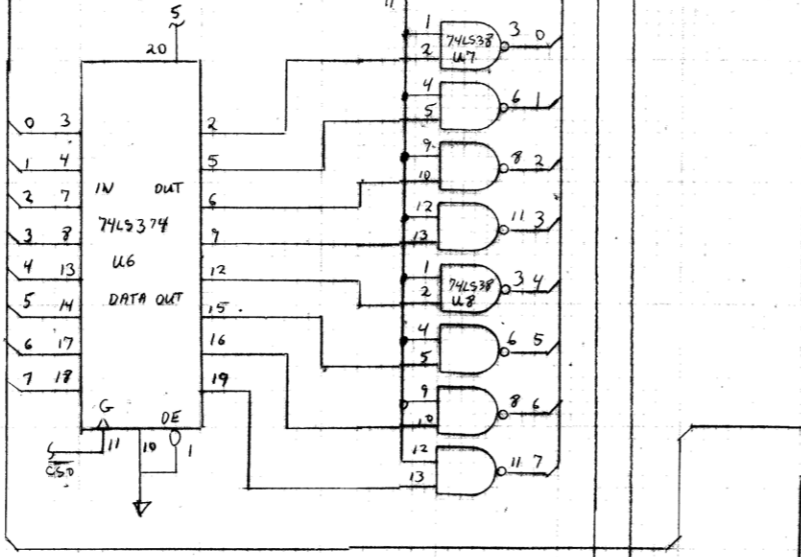
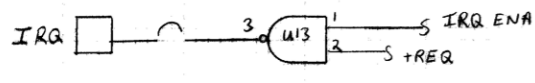
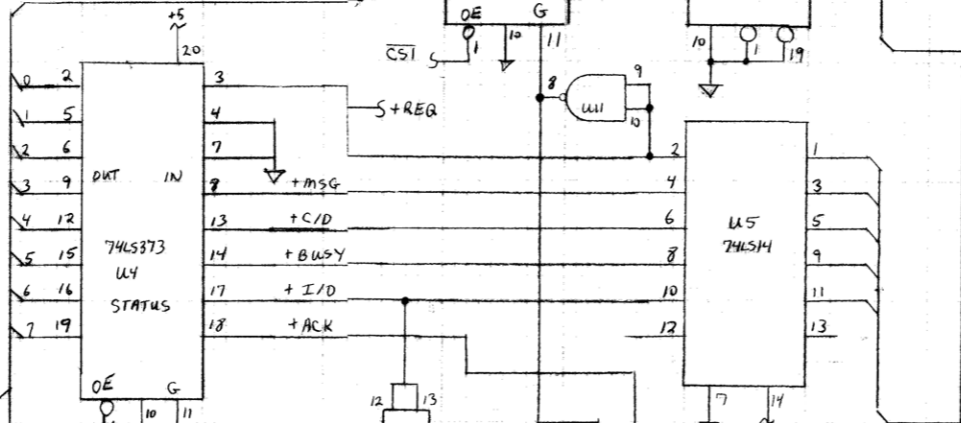
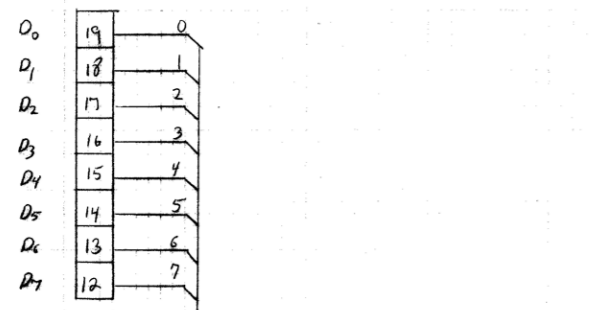
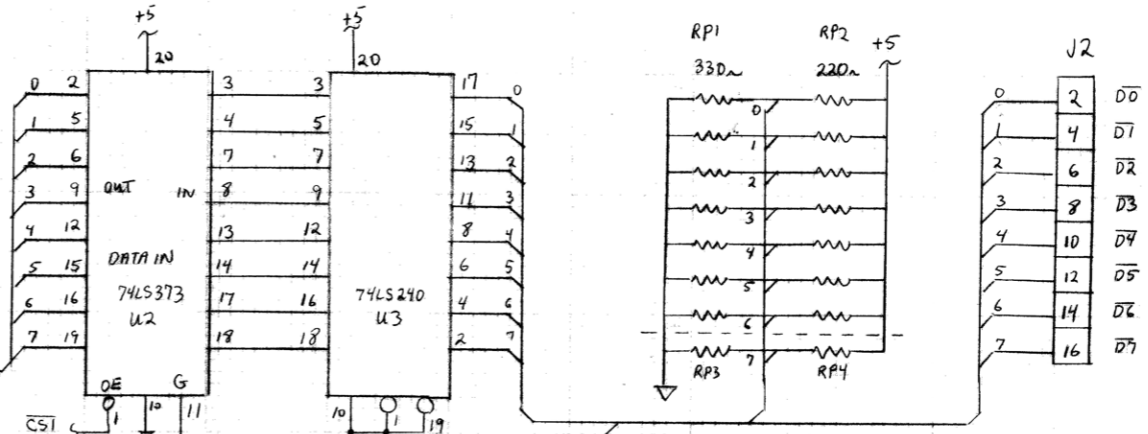
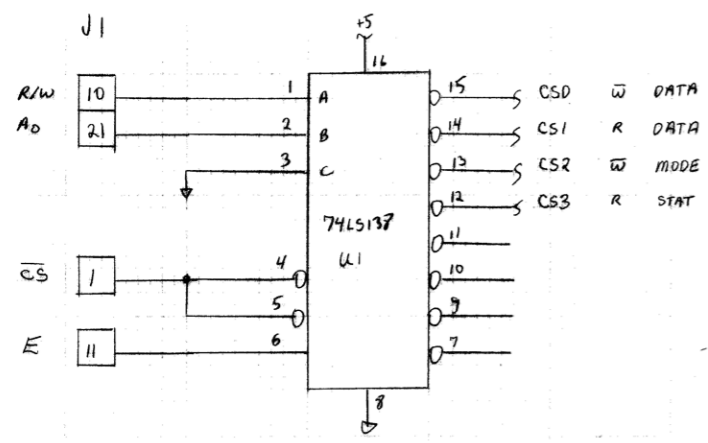


REVISIONS					
LTR	DESCRIPTION	DR	CHK	APPR'D	DATE

D



C

B

A

APPROVALS:		UNLESS OTHERWISE SPECIFIED DIMENSIONS ARE IN INCHES.		HOLLEY			
DSN. ENGR.	DATE	TOLERANCES, UNLESS OTHERWISE SPECIFIED:					
MFG. ENGR.	DATE	.XX ±		SASI HOST INTERFACE			
QUAL. ASSUR.	DATE	.XXX ±		19 AUG 82			
ENGR. MGR.	DATE	ANGULAR		SIZE	CODE IDENT. NO.	DRAWING NO.	
DRAWN BY: Holley		DATE: 11 APR 82		C			
CHECKED BY:		DATE:		SCALE		SHEET	